

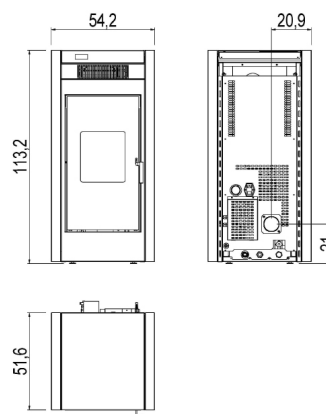
STOVE STRUCTURE CODE 7014026 (BAFA)  
EAN 8033123615044

## STEEL

WHITE  
6914006  
EAN 8033123614818

SILVER  
6914007  
EAN 8033123614825

RED  
6914005  
EAN 8033123614801



## EXTRA



Connection to the heating system



Overheating protection



Cast iron burning pot



Water temperature sensor



Connection to the external thermostat



Back exhaust



Hydraulic kit included



Handgrip against burn



Air temperature sensor



Daily weekly programming

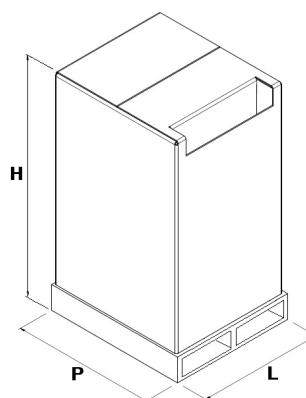


Ventilation

## TECHNICAL DATAS

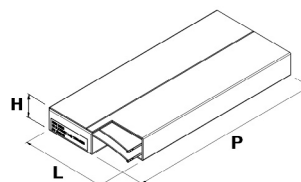
Nominal power	kW	15,4
Reduced power	kW	4,4
Nominal water useful power	kW	13
Reduced water useful power	kW	3
Nominal efficiency	%	92,1
Reduced efficiency	%	95
Heating volume (min-max)	m <sup>3</sup>	106 - 370
Nominal CO at 13% O <sub>2</sub>	%	0,011
Reduced CO at 13% O <sub>2</sub>	%	0,04
Nominal dust content at 13% O <sub>2</sub>	mg/Nm <sup>3</sup>	18
Boiler capacity (H <sub>2</sub> O)	l	14
Hopper capacity	kg	29
Combustible		<b>Pellet ø6</b>
Hourly consumption (min-max)	kg/h	0,90 - 3,40
Autonomy (min-max)	h	32,2 - 8,5
Ignition electrical absorption (max)	W	420
Operating electrical absorption (max)	W	120
Supply and frequency	V - Hz	230 - 50
Chimney flue depression	Pa	10
Exhaust diameter	mm	80
Combustion air inlet diameter	mm	50
Mass of smoke (min-max)	g/sec	4,5 - 10,4
Exhaust fumes temperature (max)	°C	145
Net weight	kg	149
Gross weight	kg	159

## PACKAGING AND STOCKING



L (cm)	68
H (cm)	133
P (cm)	80

## LINING PACKING



LINING	L (cm)	H (cm)	P (cm)
Steel	54,5	12,5	114



EN 14785:2006



BlmSchV 2015



Regensburg



Bundesamt für Wirtschaft und Ausfuhrkontrolle (BAFA)

München

Stuttgart

Aachen